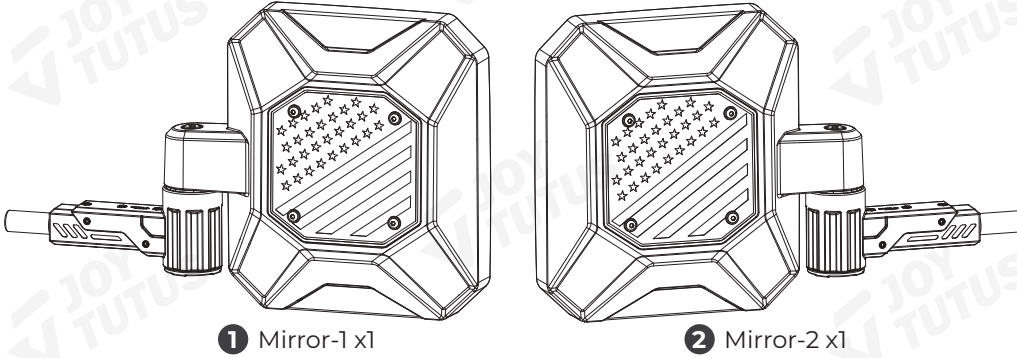


IMPORTANT

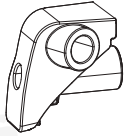
Before installation, please make sure that all accessories are ready.
(As shown in the picture below).

PRODUCT INFORMATION



1 Mirror-1 x1

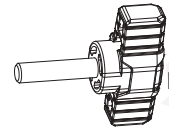
2 Mirror-2 x1



3 A-pillar bracket-1 x1



4 A-pillar bracket-2 x1



5 Thumb screw x2



6 Metal washer x4



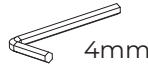
7 Metal spring washer x4



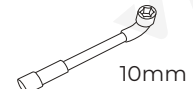
8 Button head hex socket screw x4



9 Hex Wrench x1



10 Hex Wrench x1

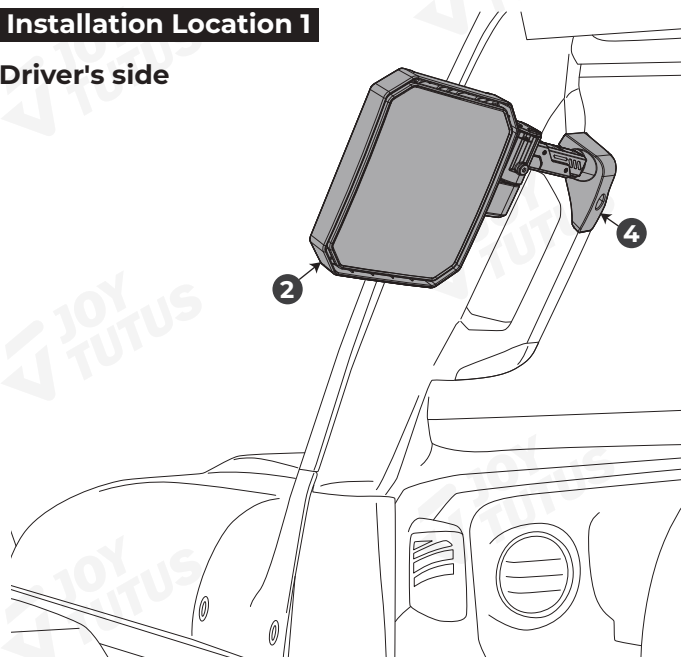


11 Socket wrench x1

INSTALLATION COMPLETION DIAGRAM

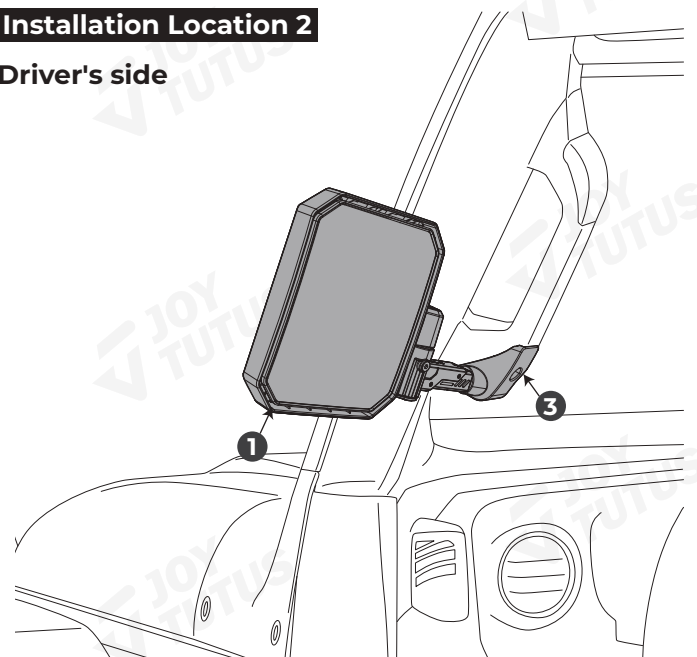
Installation Location 1

Driver's side



Installation Location 2

Driver's side



CUSTOMER SUPPORT



Contact us by email:
service@joytutus.com

JOYTUTUS help center:



<http://support.joytutus.com>

✓ INSTALLATION TIPS

PREMISE:

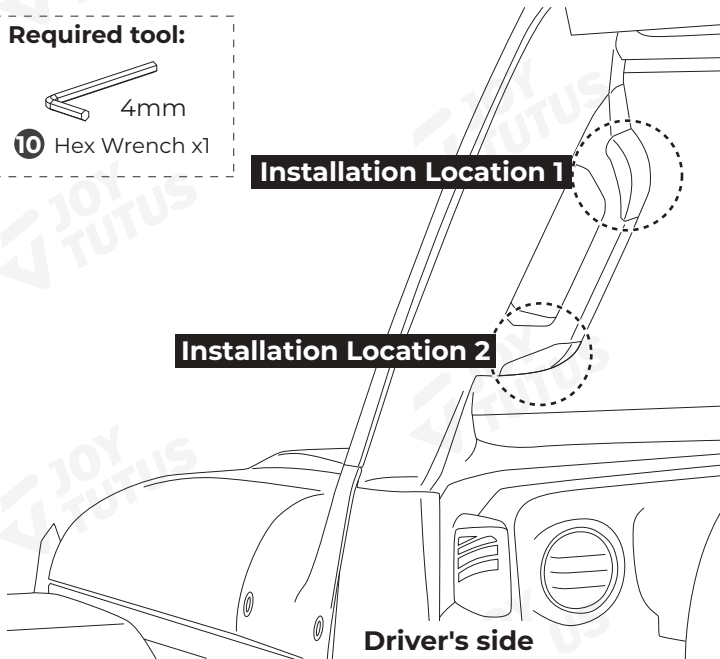
Select the installation location you need, and remove the decorative cover and original screw as shown in the picture.

Required tool:

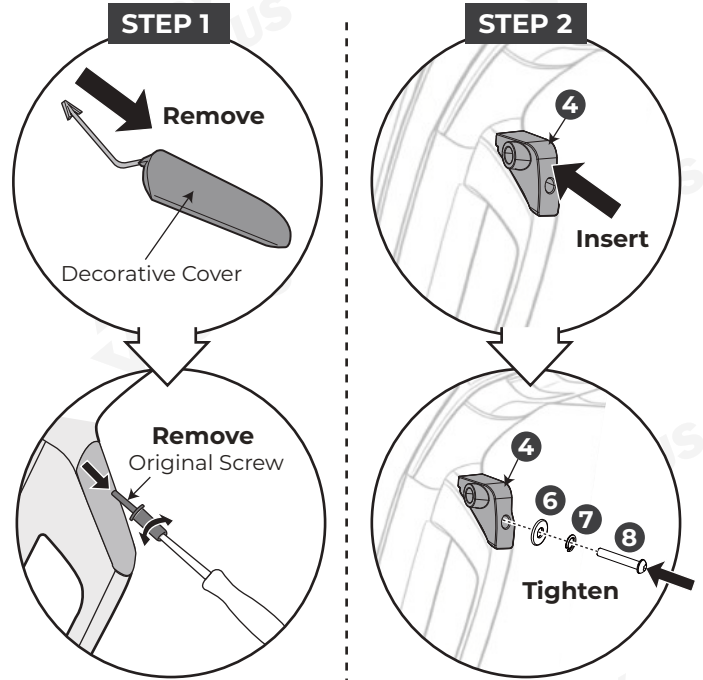


Installation Location 1

Installation Location 2



Installation Location 1

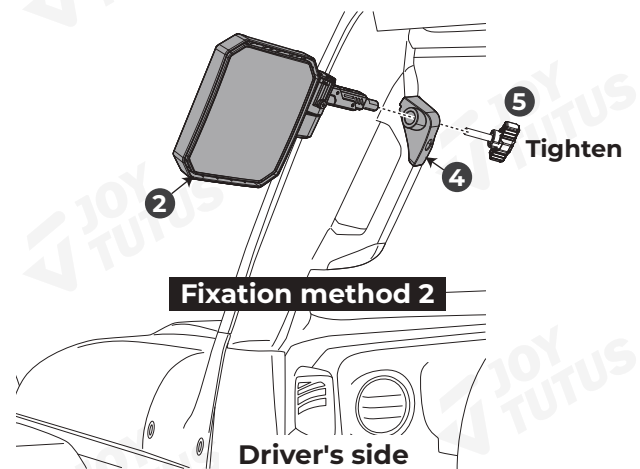
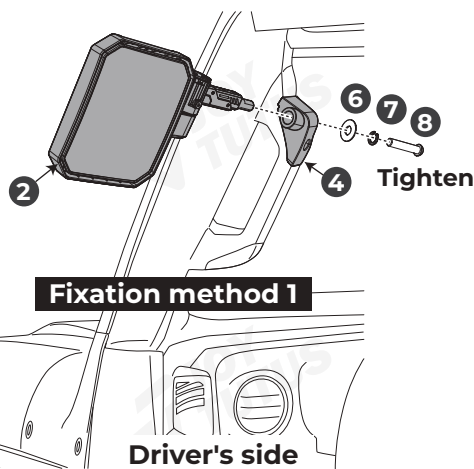


The required bracket for installation location 2 is [3], and the installation method is otherwise the same.

Installation Location 1

STEP 3

Required tool:

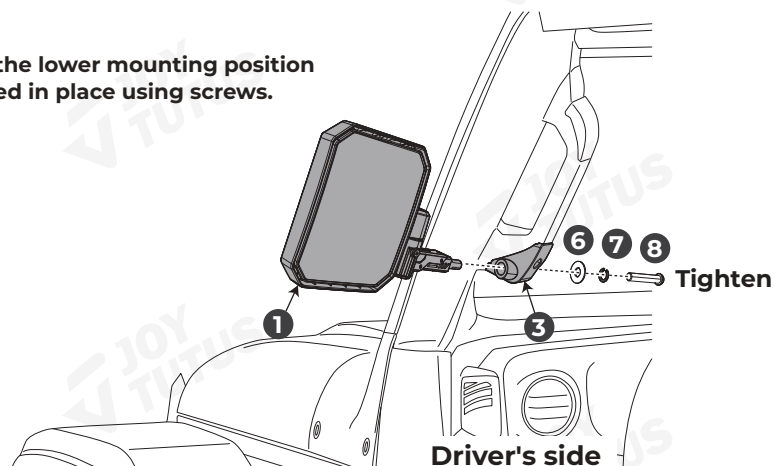


Installation Location 2

STEP 3

When the mirror is installed in the lower mounting position of the handle, it can only be fixed in place using screws.

Required tool:



The installation method is the same for the other side.

FUNCTION

FUNCTION 1:

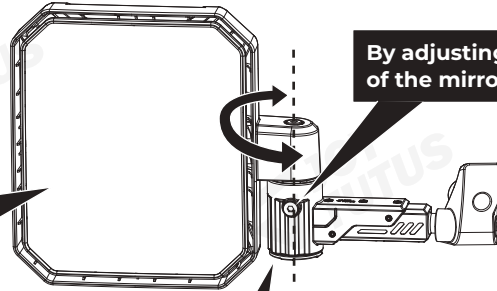
The mirror can automatically rebound in both positive and negative directions:

- 1) When the mirror's rotation angle is greater than 0° and less than 90° , it will automatically rebound to the initial position.
- 2) When the mirror's rotation angle is greater than -90° and less than 0° , it will automatically rebound to the initial position.
- 3) When the mirror is rotated to -90° , 0° , and 90° , it can be fixed at these three positions.

Required tool:

- 4mm
- 10 Hex Wrench x1
- 10mm
- 11 Socket wrench x1

Remove this plug cover to adjust the tightness of the nut and screw, thereby regulating the rebound force of the pivot shaft.

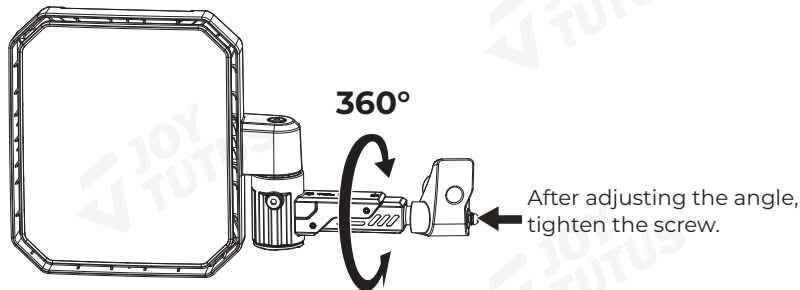


Remove this plug cover to adjust the tightness of the nut and screw, thereby regulating the rebound force of the pivot shaft.

FUNCTION 2:

Required tool:

- 4mm
- 10 Hex Wrench x1

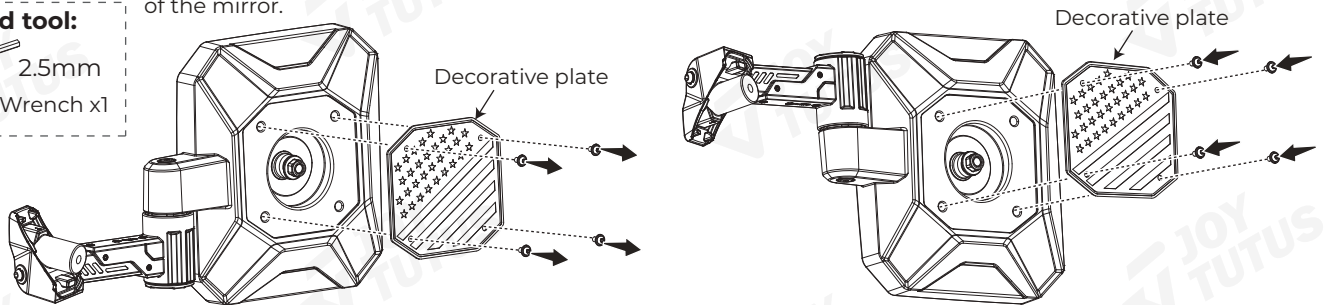


FUNCTION 3:

After repositioning the conversion bracket, if the decorative plate on the back of the mirror is oriented incorrectly, you can adjust the direction of the decorative plate by loosening the screws on the back of the mirror.

Required tool:

- 2.5mm
- 9 Hex Wrench x1



FUNCTION 4:

Required tool:

- 2.5mm
- 9 Hex Wrench x1

