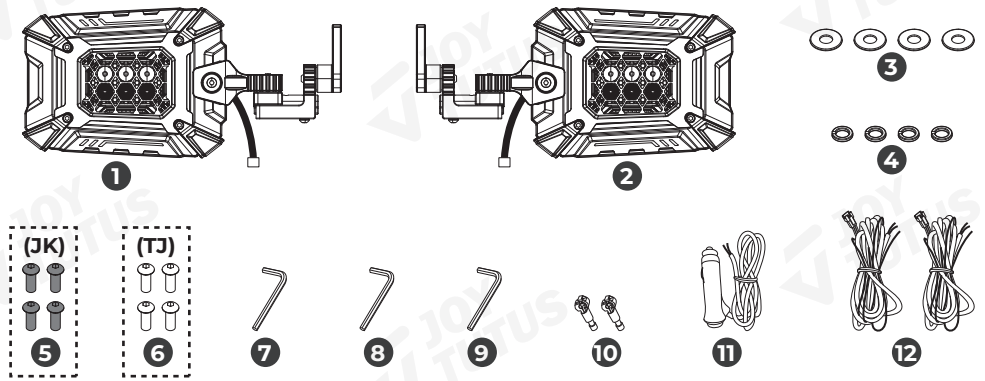


IMPORTANT

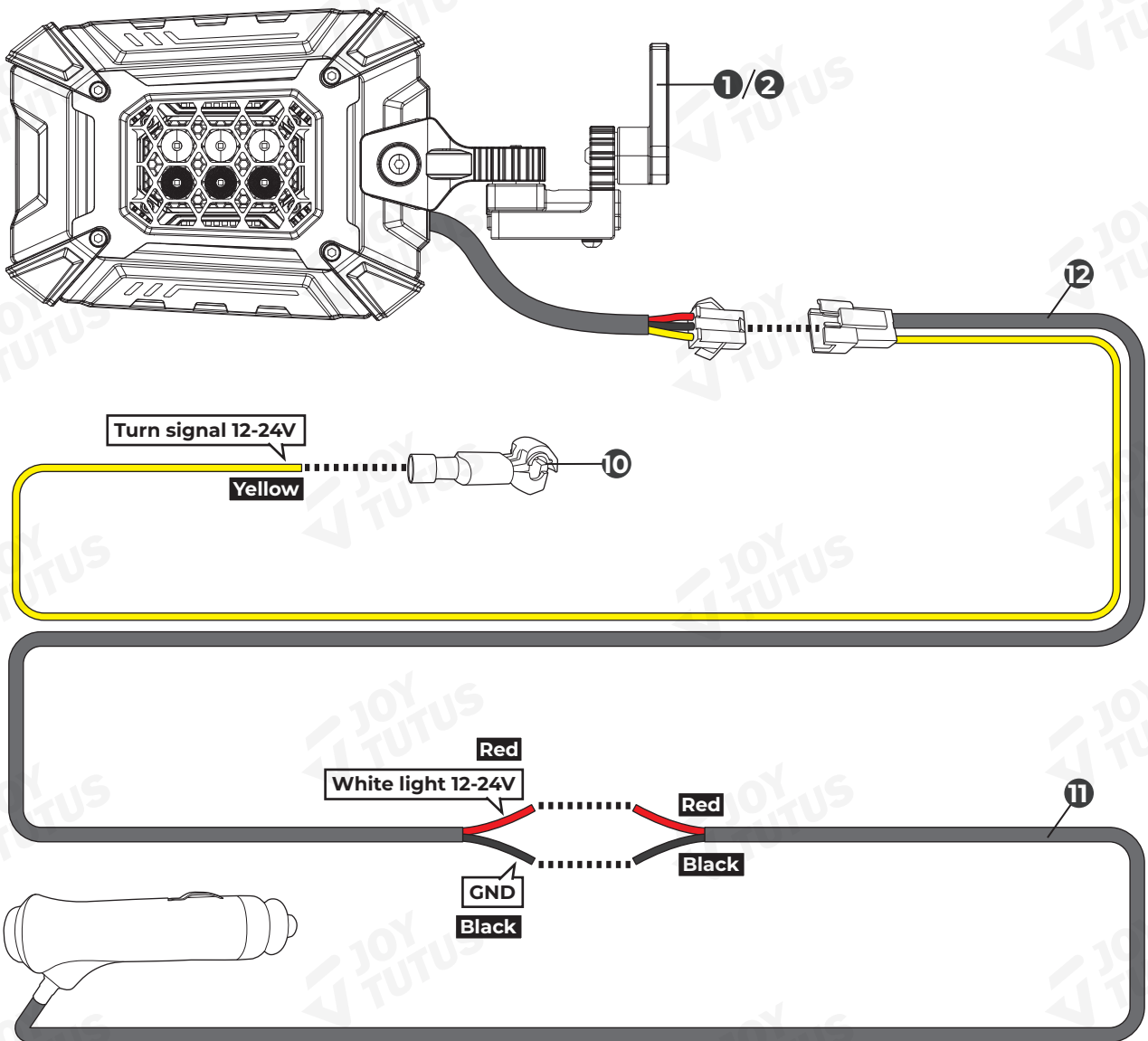
Before installation, please make sure that all accessories are ready. (As shown in the picture below).

PRODUCT INFORMATION

- 1 Mirror - Right x1
- 2 Mirror - Left x1
- 3 Metal Washer M8*D16*1 x4
- 4 Metal Spring Washer M8 x4
- 5 Screw M8*L25 x4
- 6 Screw 5/16-18*L1-1/8 x4
- 7 Hexagon Wrench 4mm x1
- 8 Hexagon Wrench 4.7mm x1
- 9 Hexagon Wrench 2.5mm x1
- 10 T-type terminal x2
- 11 Cigarette lighter harness x1
- 12 Control Wiring Harness x2

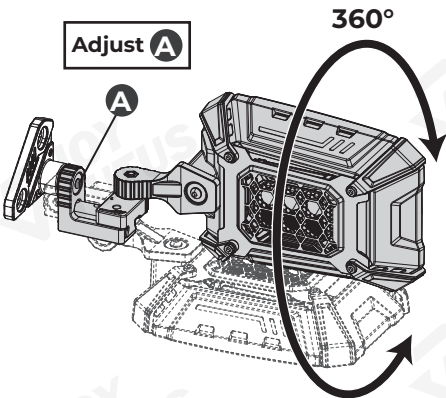


CIRCUIT DIAGRAM

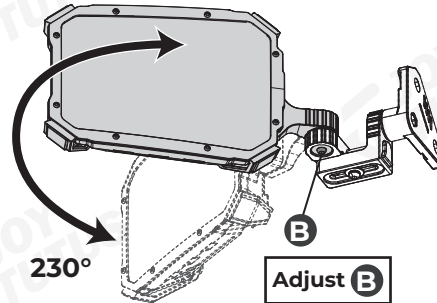


✓ FUNCTION

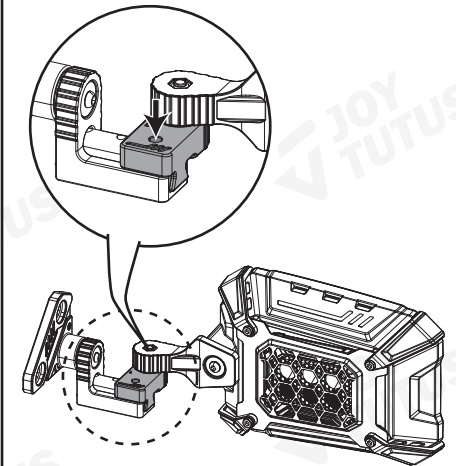
01) Adjusting screw [A] can rotate mirror up and down 360°.



02) Adjusting screw [B] can adjust mirror forward and backward by 230°.

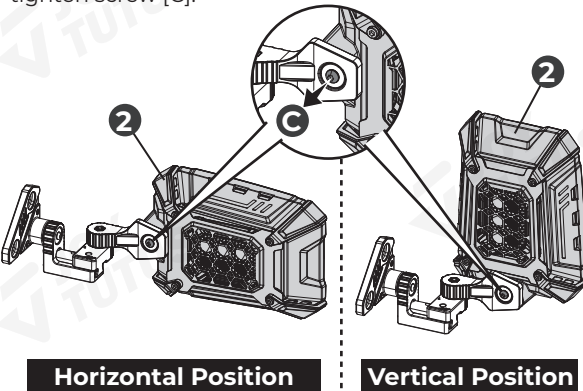


03) You can install spotlights, GoPro, or other products here.

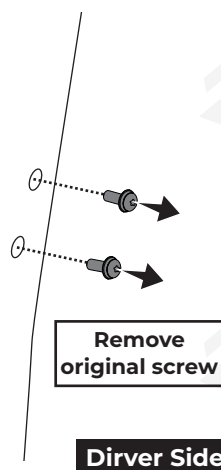


✓ INSTALLATION TIPS

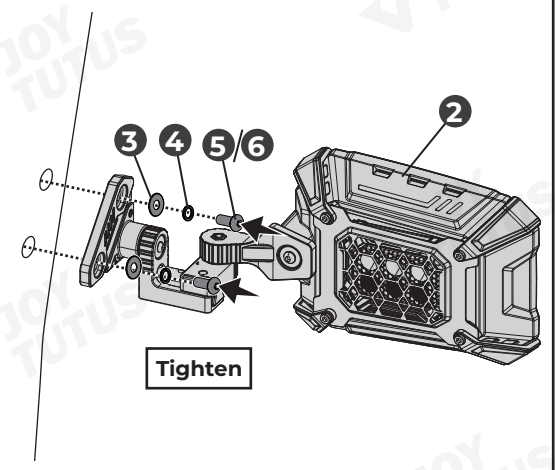
STEP 1: Remove screw [C] to adjust the rearview mirror to your desired position, and then tighten screw [C].



STEP 2

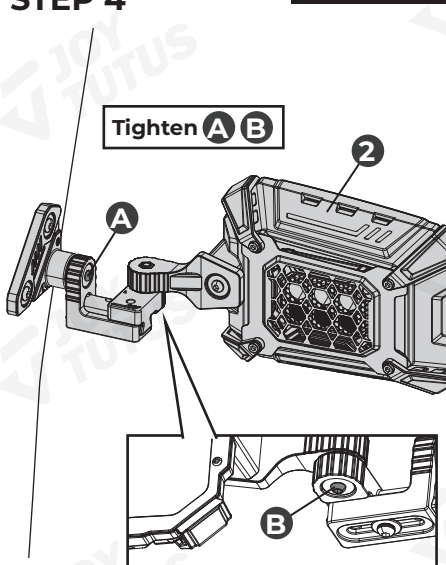


STEP 3



STEP 4

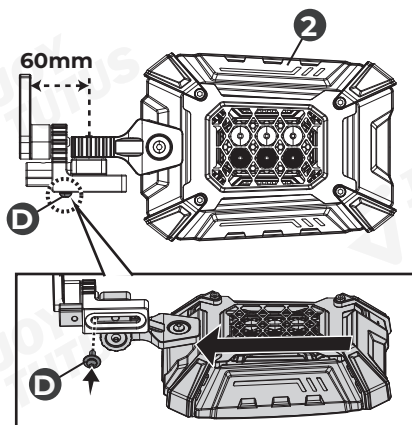
Driver Side



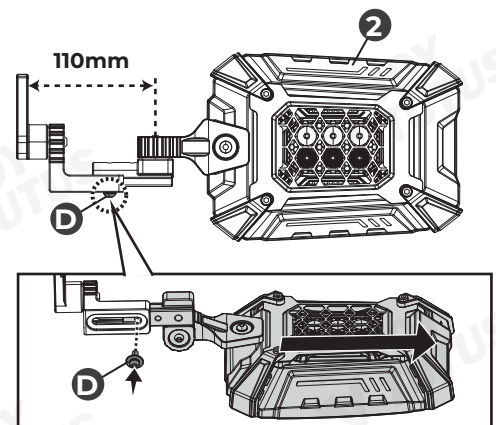
STEP 5: This position can be adjusted according to your own needs, extending it appropriately when doors are on and shortening it appropriately when doors are off.

Driver Side

Stretch to the shortest position



Stretch to the longest position

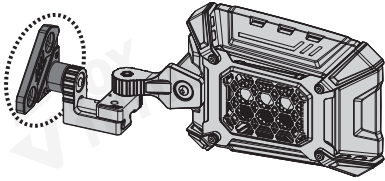


Repeat steps 1-5 and install mirror [1] on the other side.

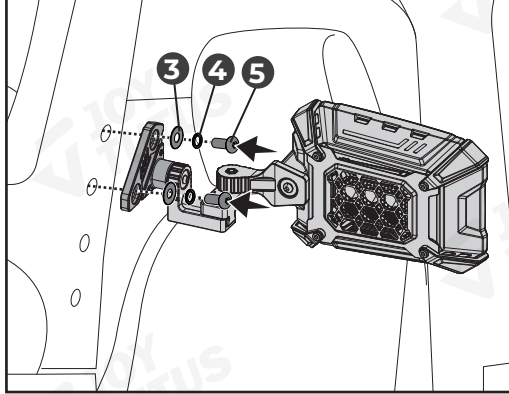
✓ INSTALLATION MODE

Wrangler JK JKU

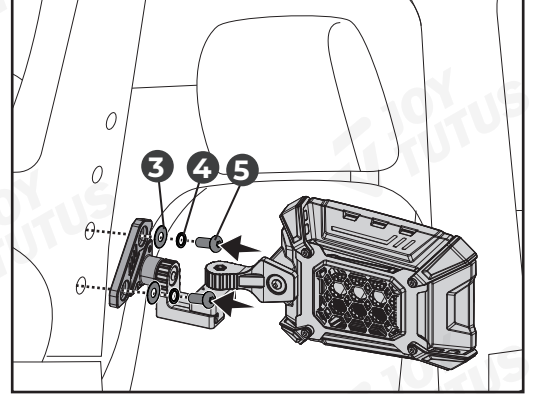
■ First installation mode



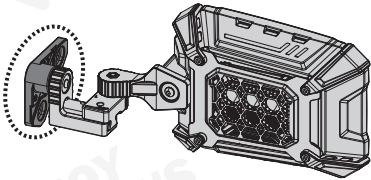
Method one



Method two

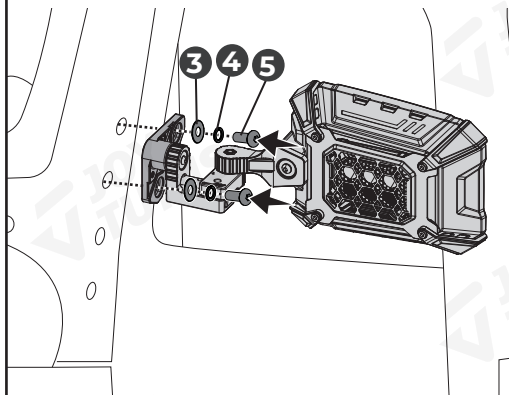


■ ■ Second installation mode

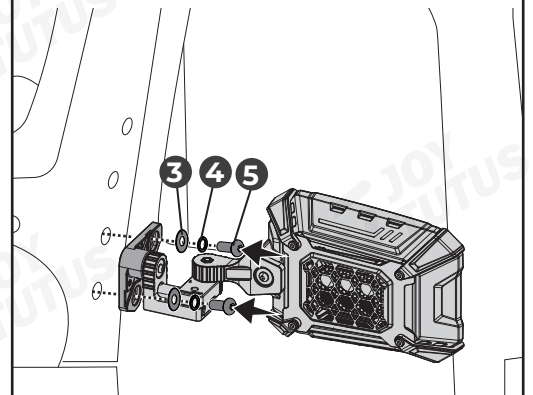


NOTE: The second installation mode will not interfere with the vehicle door.

Method one

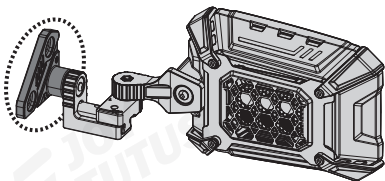


Method two

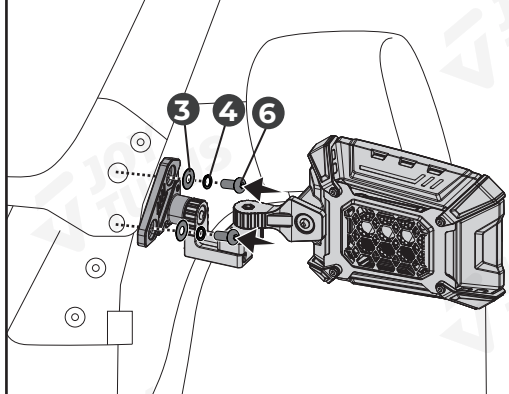


Wrangler TJ

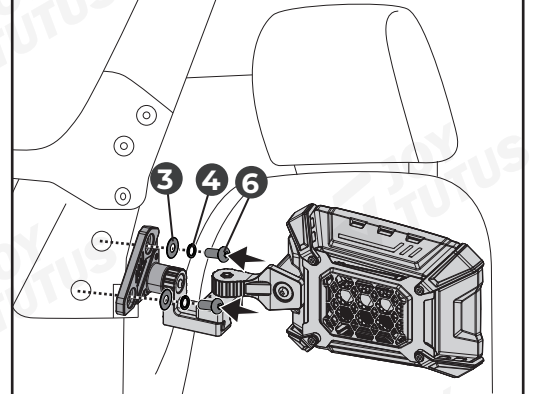
■ First installation mode



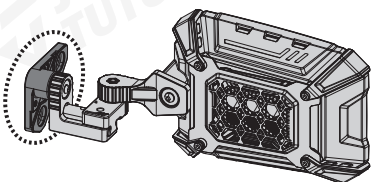
Method one



Method two

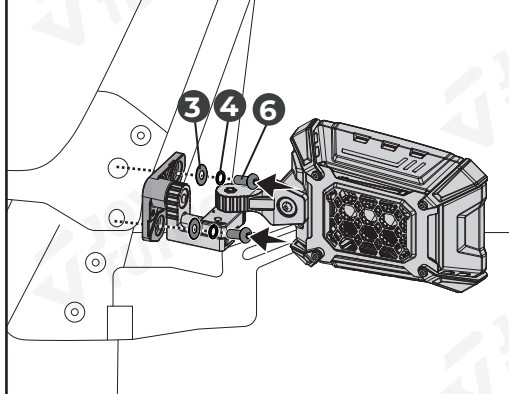


■ ■ Second installation mode

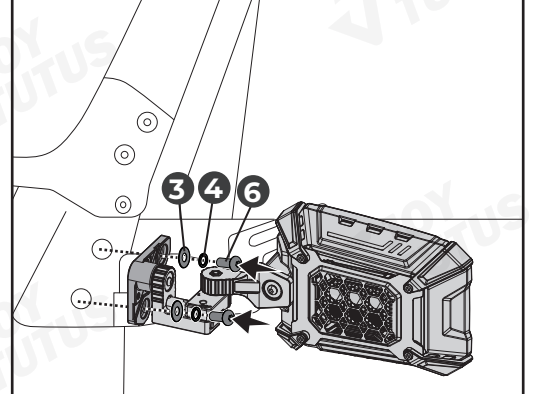


NOTE: The second installation mode will not interfere with the vehicle door.

Method one

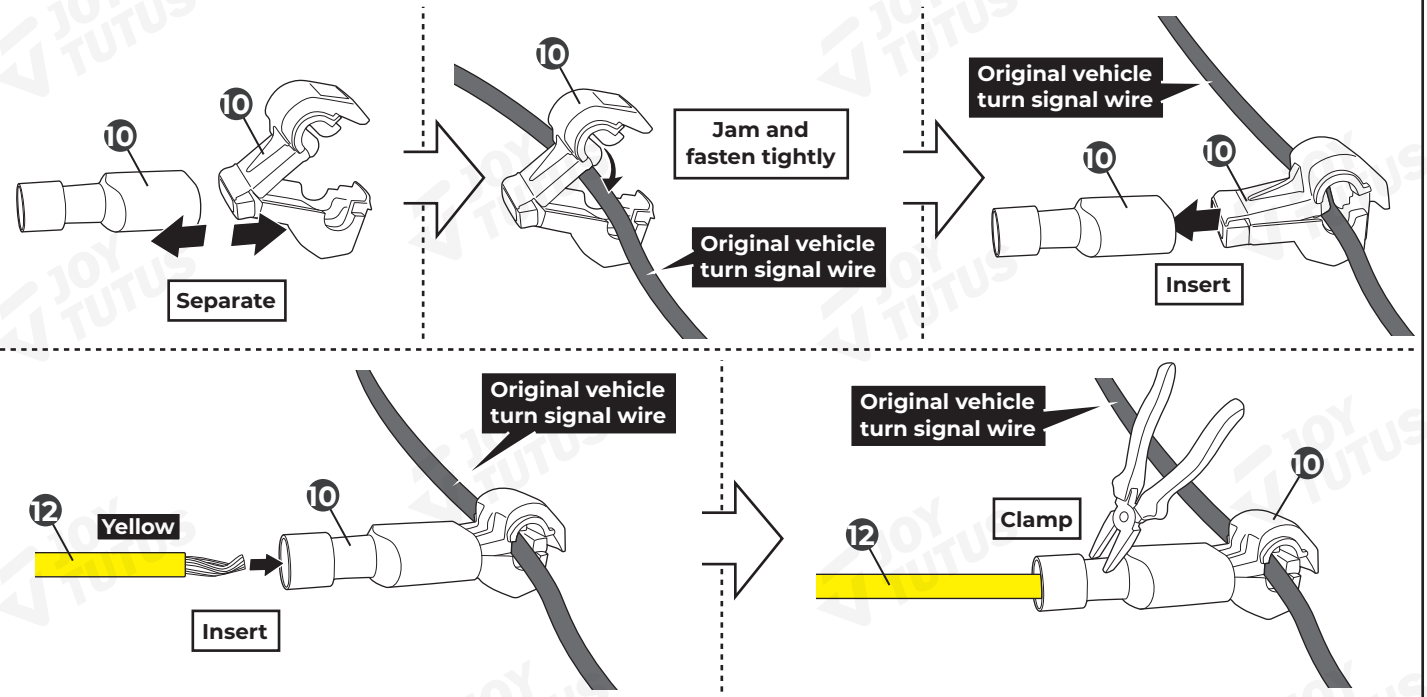


Method two

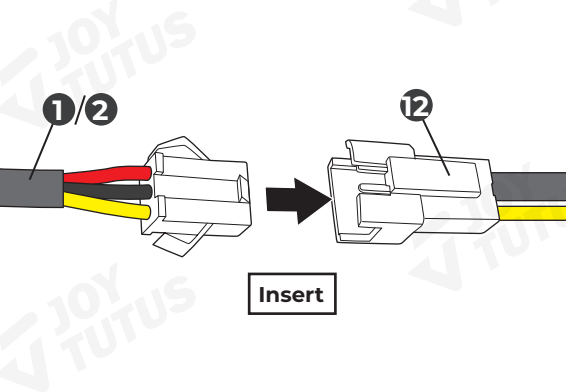


WIRING INSTRUCTIONS

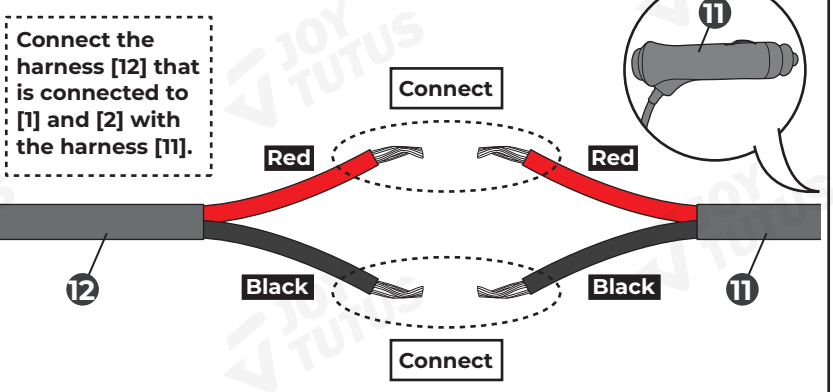
STEP 1 Two [10] synchronous operations.



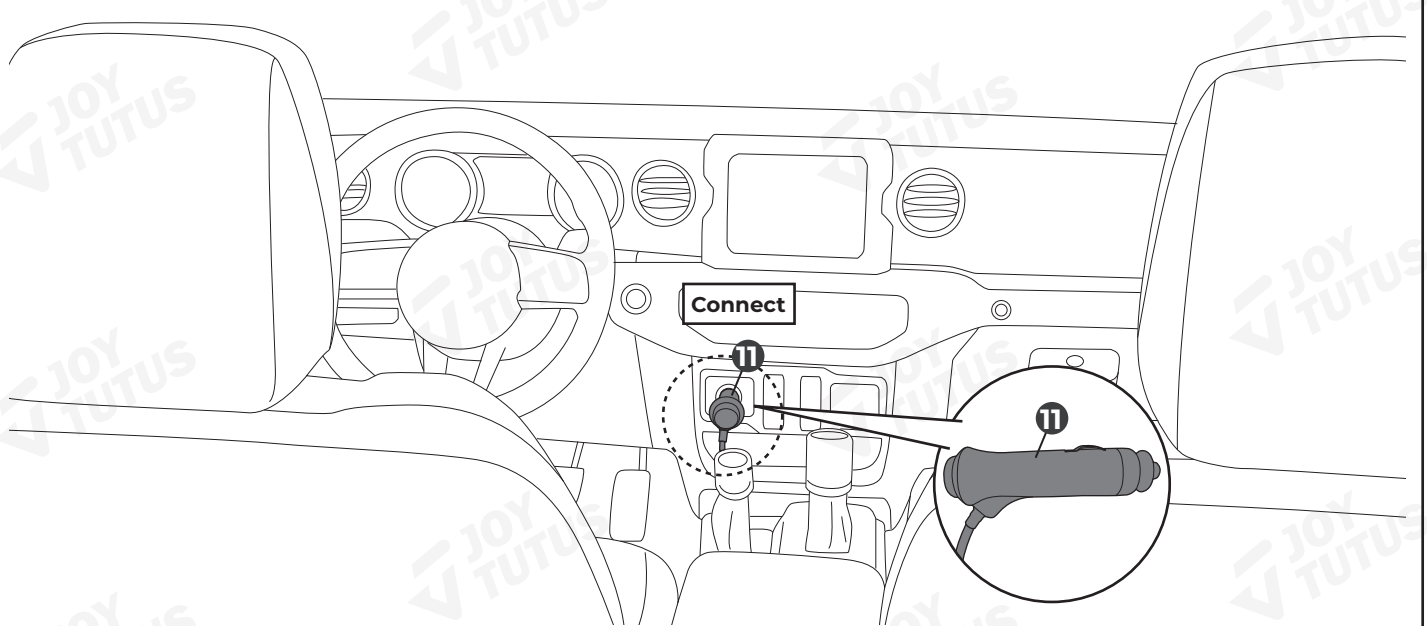
STEP 2



STEP 3



STEP 4



If you have any questions, please visit Joytutus website or email for quick response.

Web: www.joytutus.com

Email: Service@joytutus.com