

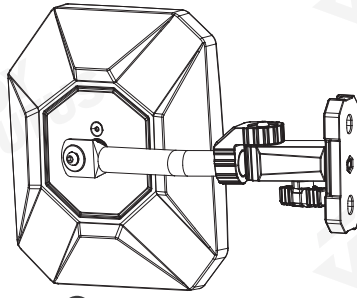
IMPORTANT

Before installation, please make sure that all accessories are ready.
(As shown in the picture below).

PRODUCT INFORMATION



1 Mirror-L x1



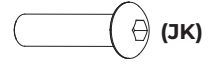
2 Mirror-R x1



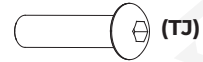
3 M8*D20*1 Metal Washer x4



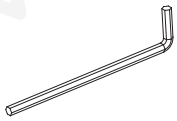
4 M8 Spring Washer x4



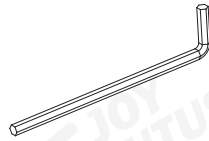
5 M8*L25 Button Head Hex Socket Cap Screw x4



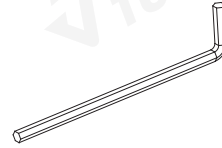
6 5/16-18*L1-1/8 Button Head Hex Socket Cap Screw x4



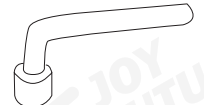
7 Hex Key 3mm x1



8 Hex Key 4mm x1



9 Hex Key 4.7mm x1



10 Socket wrench x1

CUSTOMER SUPPORT



Contact us by email:
service@joytutus.com

JOYTUTUS help center:

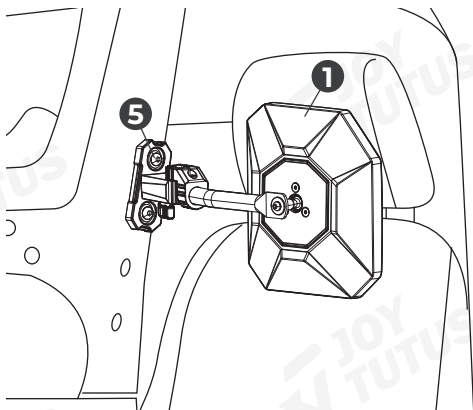


<http://support.joytutus.com>

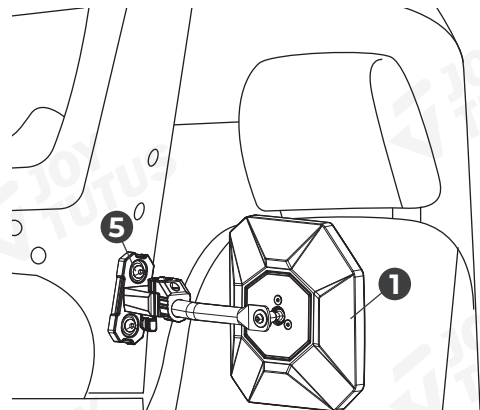
INSTALLATION COMPLETION DIAGRAM

Wrangler JK JKU

Method one

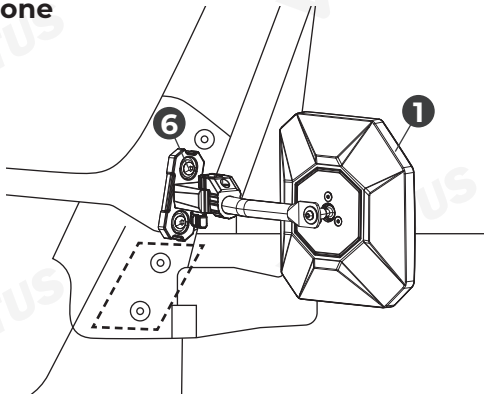


Method two

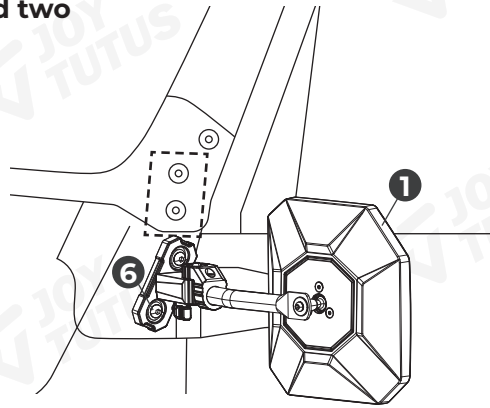


Wrangler TJ

Method one



Method two



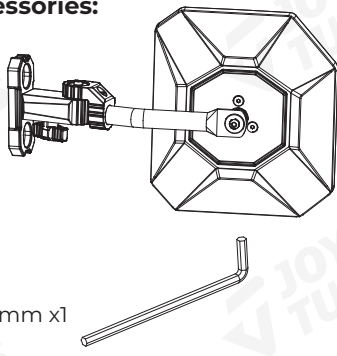
INSTALLATION TIPS

STEP 1

Required accessories:

1 Mirror-L x1

9 Hex Key 4.7mm x1

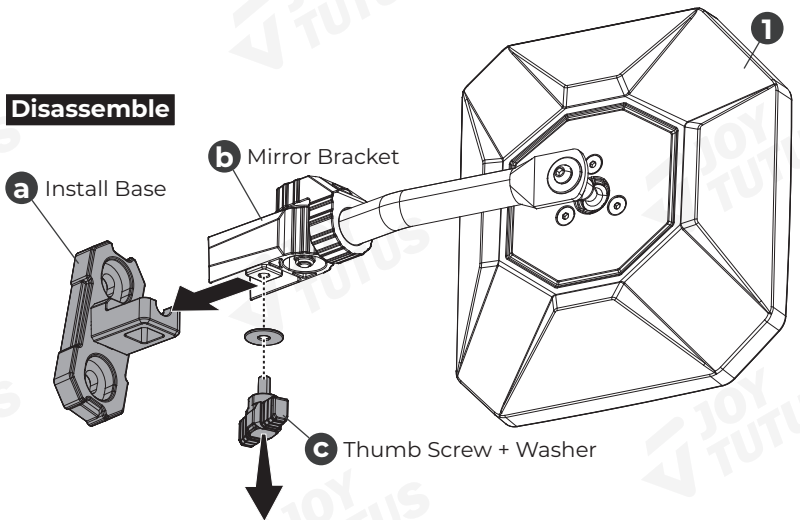


Disassemble

a Install Base

b Mirror Bracket

c Thumb Screw + Washer



STEP 2

Required accessories:

3 M8*D20*1 Metal Washer x4

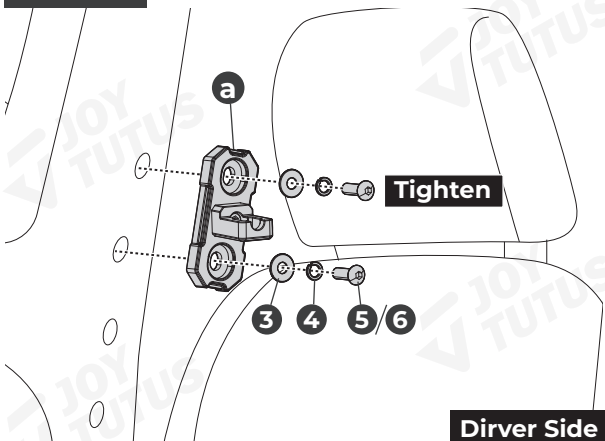
5 M8*L25 Button Head Hex Socket Cap Screw x4 (JK)

4 M8 Spring Washer x4

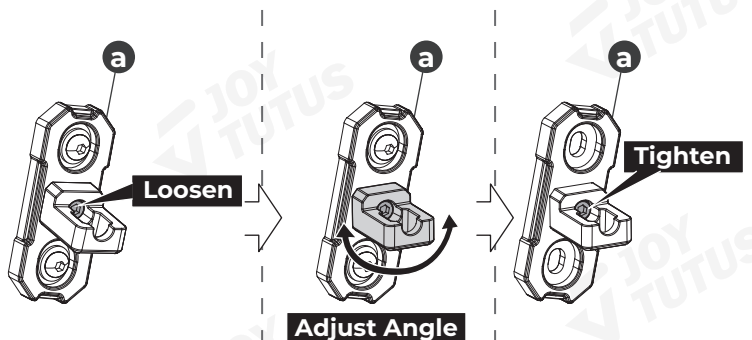
6 5/16-18*L1-1/8 Button Head Hex Socket Cap Screw x4 (TJ)

9 Hex Key 4.7mm x1

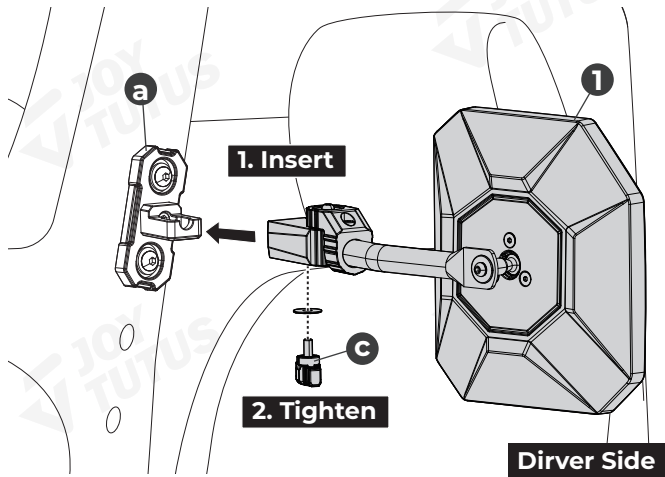
STEP 2-1



STEP 2-2

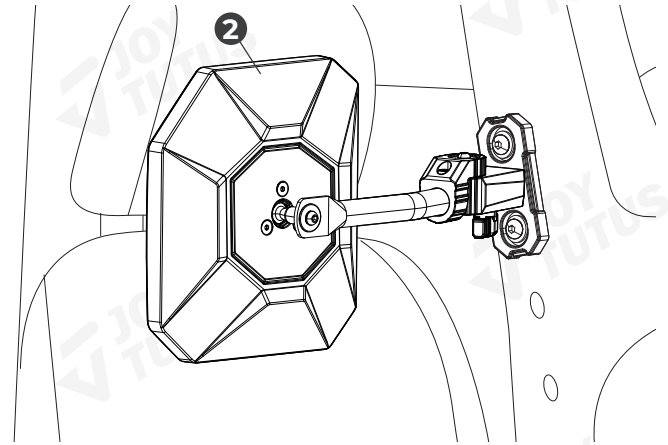


STEP 3



STEP 4

Install the other side mirror [2] according to STEP 1 - STEP 3.



FUNCTION

Required accessories:

