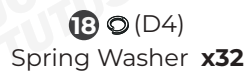
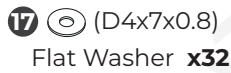
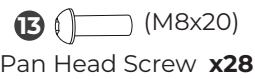
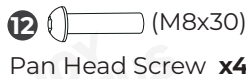
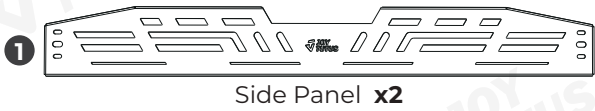


IMPORTANT

Before installation, please make sure that all accessories are ready.
(As shown in the picture below)

PRODUCT INFORMATION



CUSTOMER SUPPORT

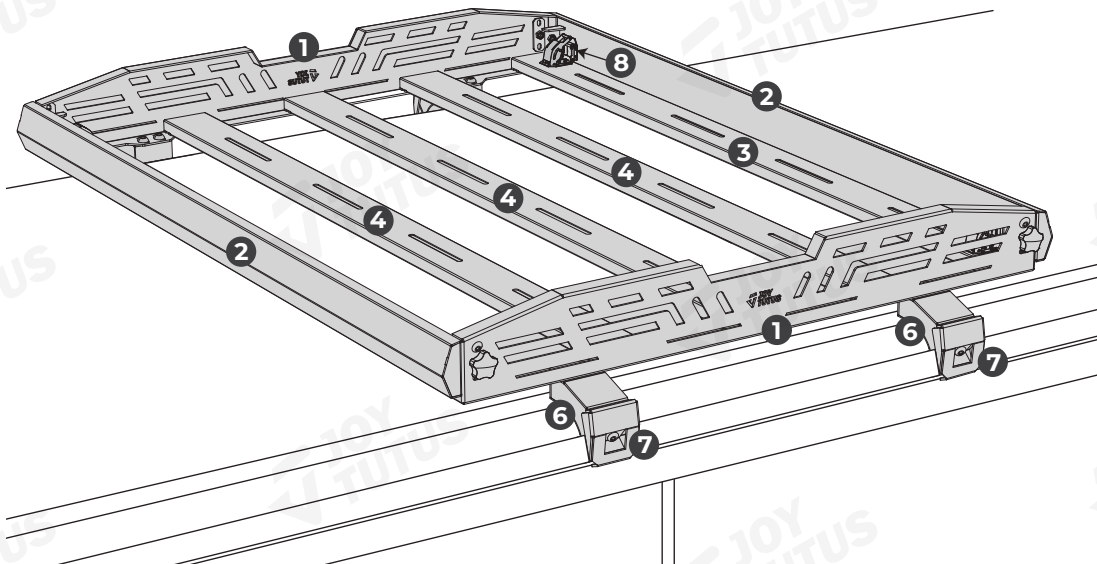
Contact us by email:
service@joytutus.com

JOYTUTUS help center:

http://support.joytutus.com



INSTALLATION COMPLETION DIAGRAM



✓ INSTALLATION TIPS

STEP 1

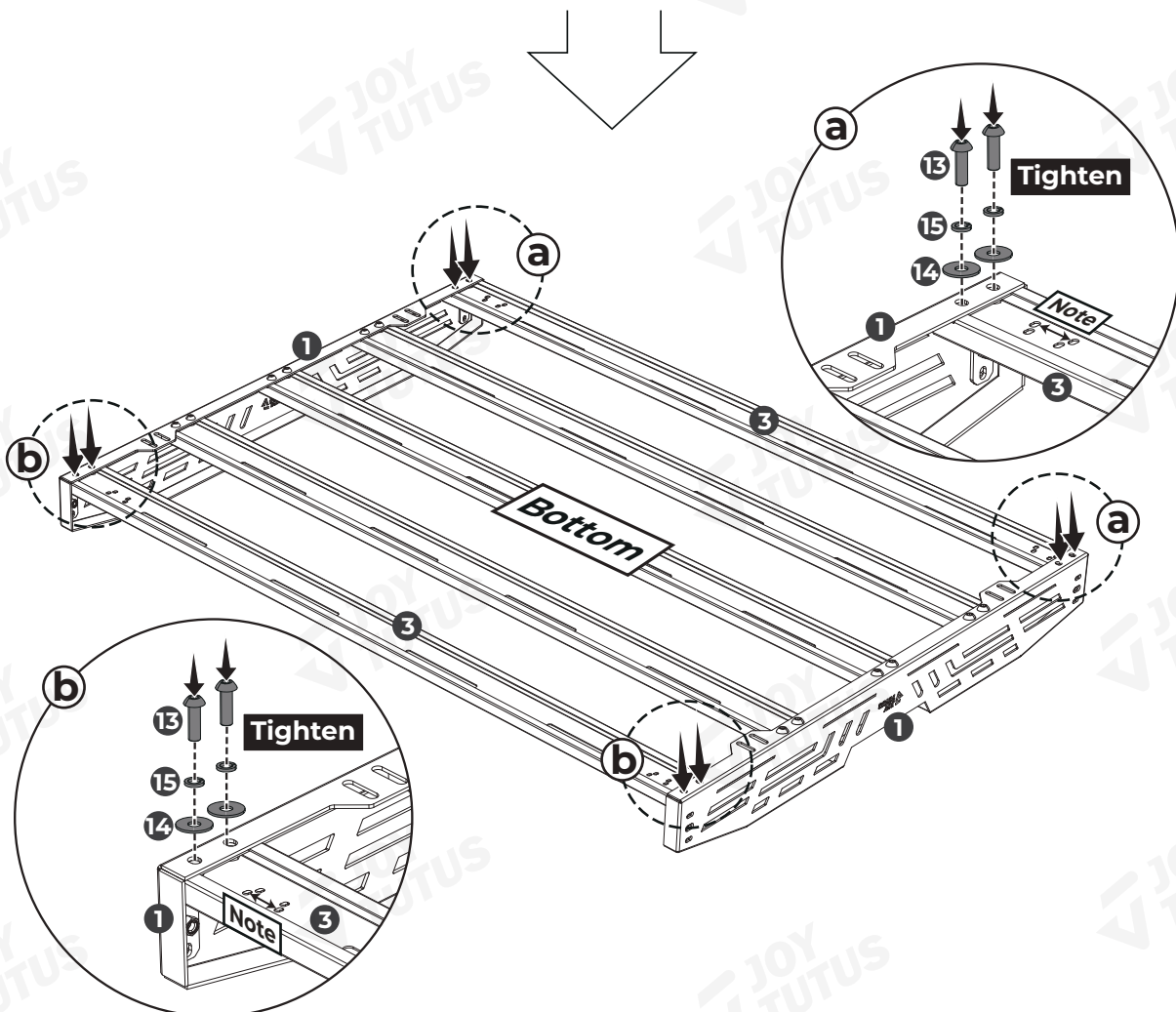
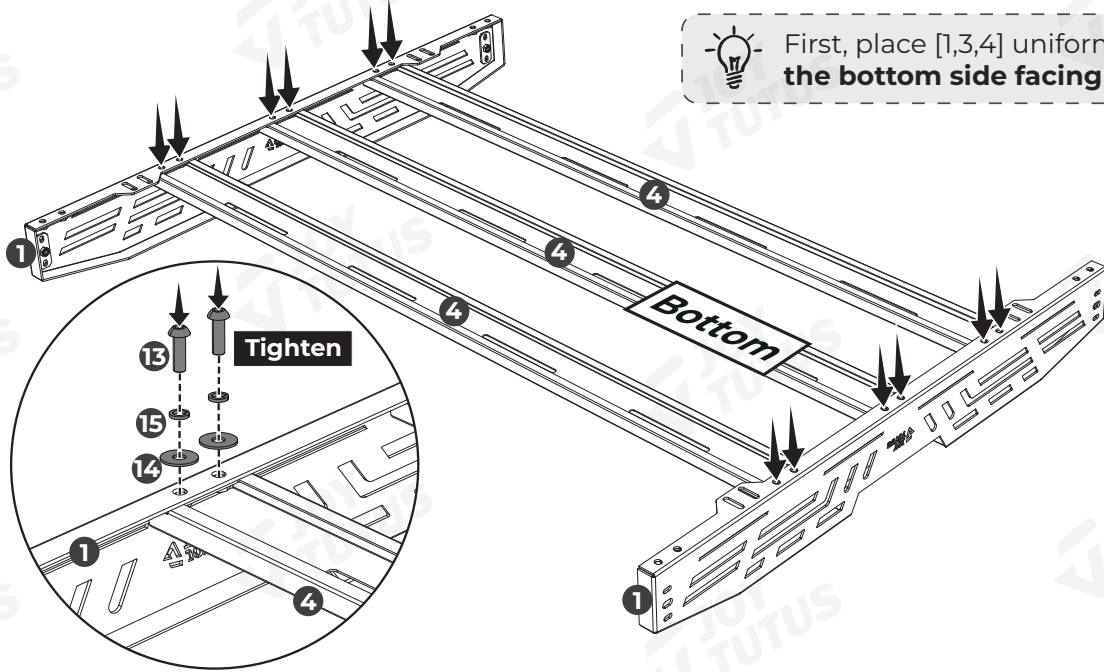
Required accessories:

13 (M8x20)
Pan Head Screw x20

14 (M8x16x1)
Flat Washer x20

15 (D8)
Spring Washer x20

Hex Key (S=5) x1
(Self-supplied)





STEP 2

Required accessories:


8  Hinge **x4**


16  (M4x12) Pan Head Screw **x32**

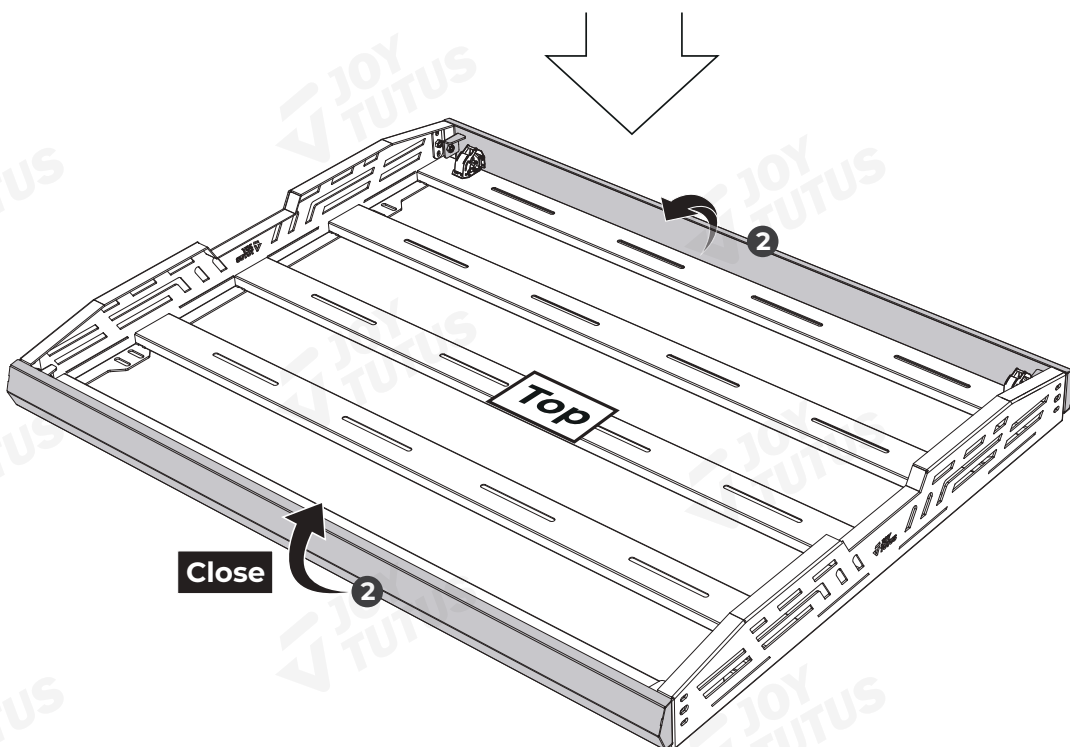
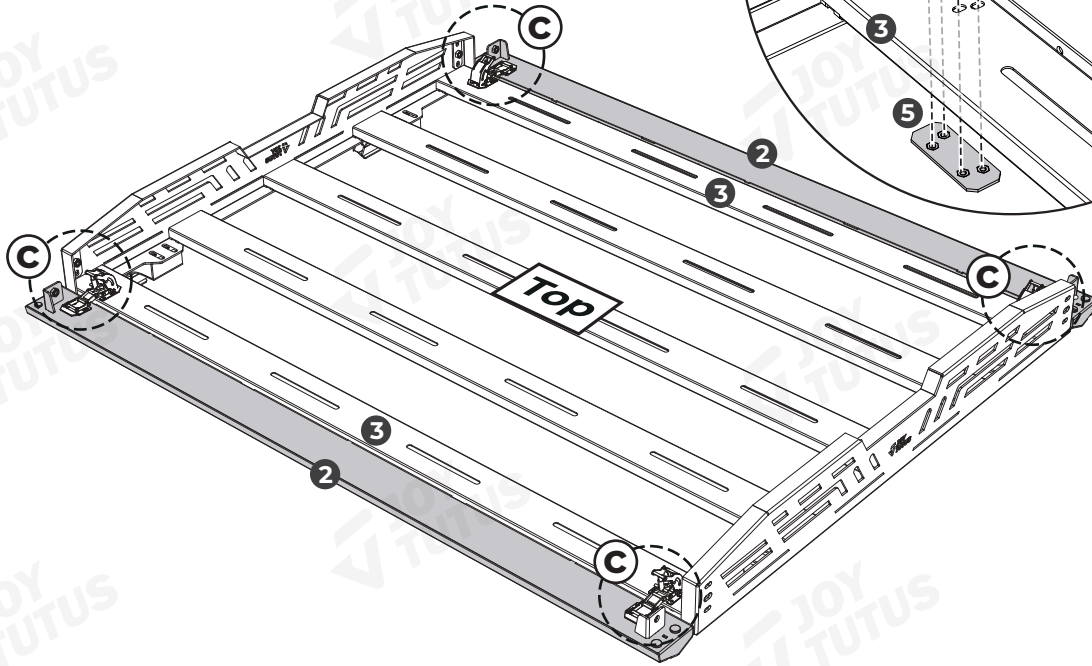
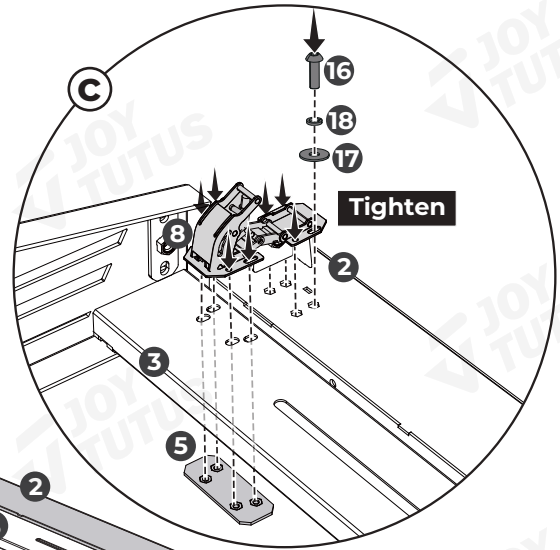
17  (D4x7x0.8) Flat Washer **x32**

18  (D4) Spring Washer **x32**

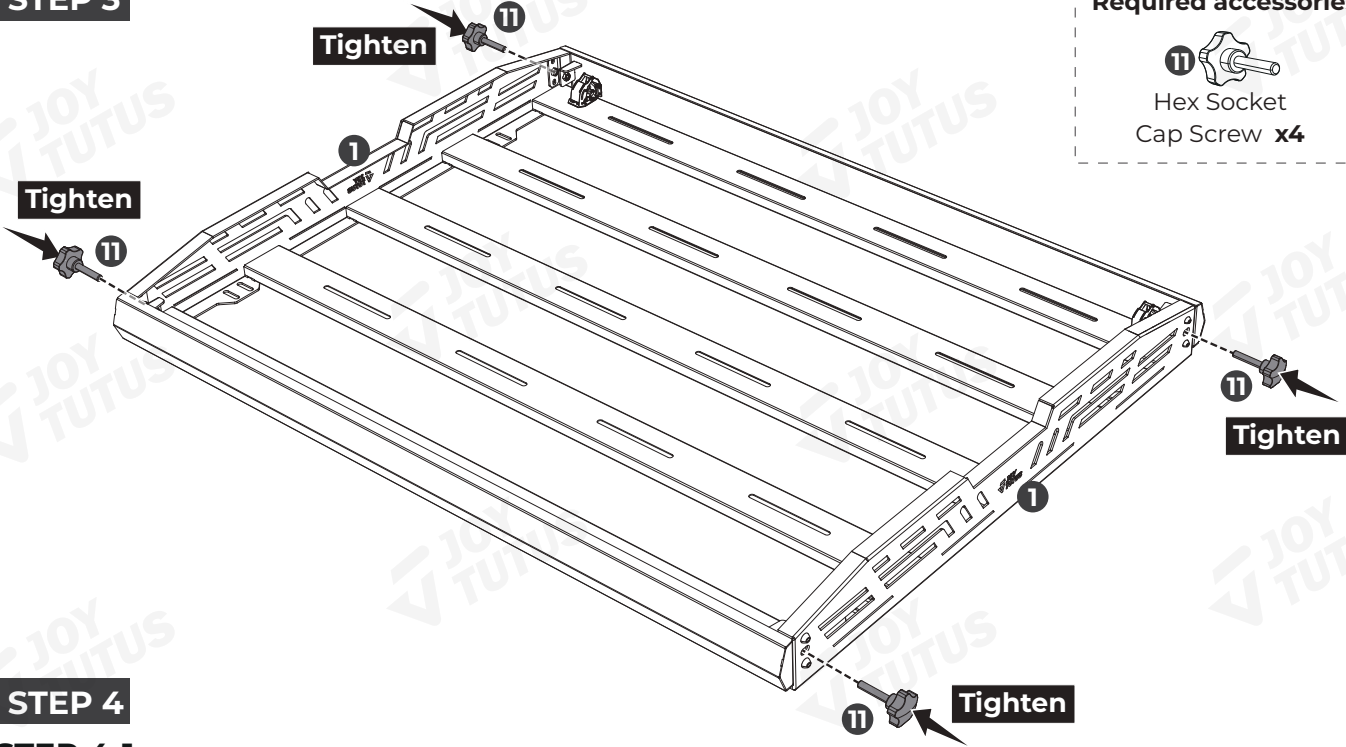
5  Nut Plate **x4**

 Hex Key (S=2.5) **x1**
(Self-supplied)

 Place the component assembled in Step 1 with **the top side facing up**.



STEP 3



Required accessories:

Hex Socket Cap Screw **x4**

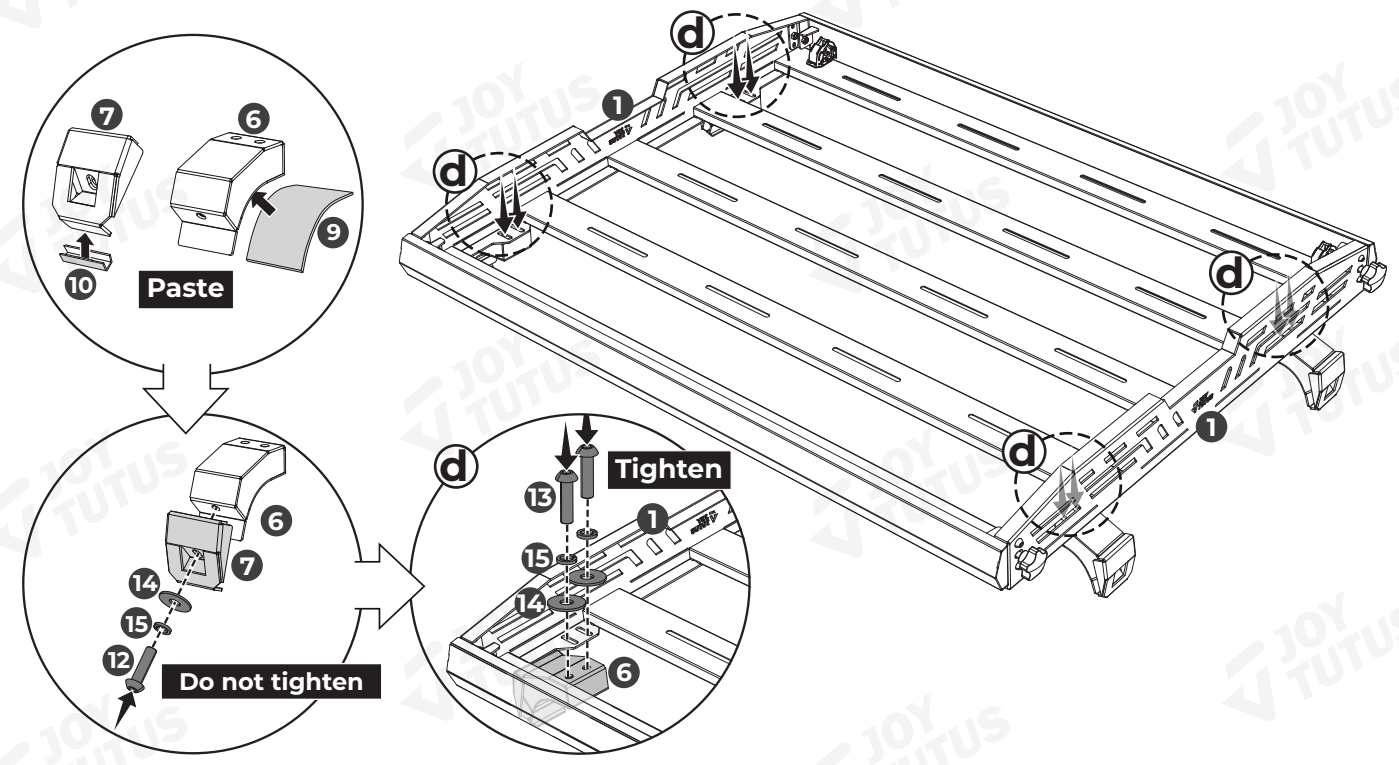
STEP 4

STEP 4-1

Required accessories:

 Bracket 1 x4	 Bracket 2 x4	 Pan Head Screw x4	 Flat Washer x12	 Spring Washer x12
 Pan Head Screw x8	 154x68mm EVA Foam x4	 17x53mm EVA Foam x4	 Hex Key (S=5) x1 (Self-supplied)	 Scissors x1 (Self-supplied)

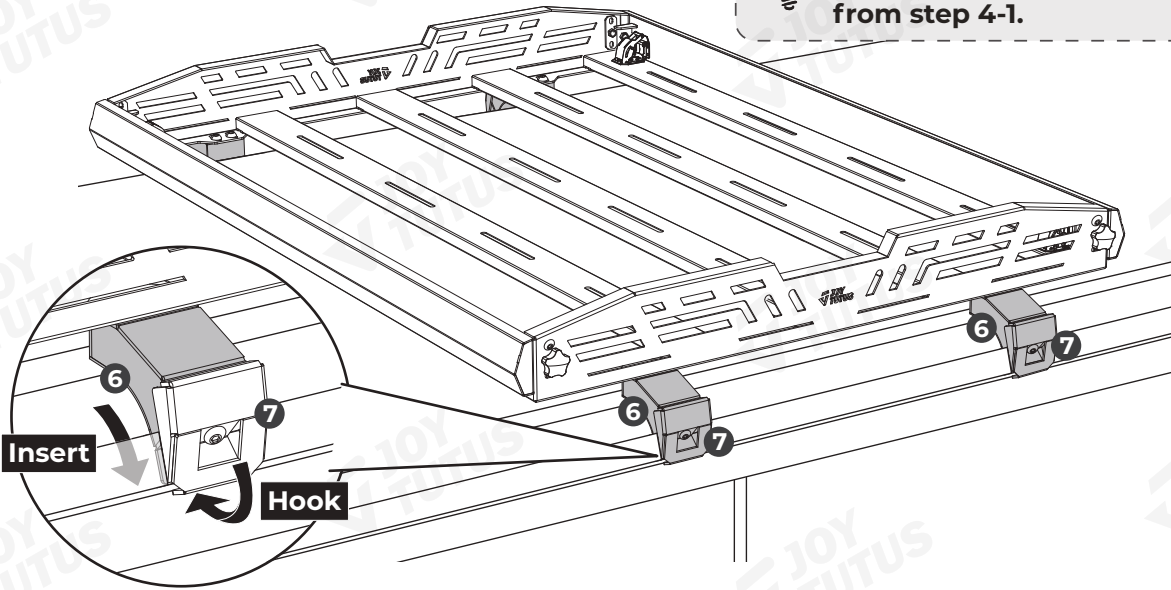
- 1. Please peel off the backing film from sections [9,10] before applying;
- 2. Trim off the excess portion of [9].



STEP 4-2



Adjust to the appropriate position as a whole, and **tighten the screw from step 4-1.**



NOTE

1. When loading items onto the roof rack, close the front and rear protective panels [2];
2. If no items need to be placed on the roof rack, unscrew the four screws [1], lay flat the front and rear protective panels [2], and then screw [1] back into their original holes.

